

ESU-1100

► **Description**

Battery Powered, Sensor Activated Flush Valve for Wash-down Urinals.

► **Model**

ESU-1100

► **Flush Cycle**

Factory set:

8 seconds — 2.0 Lpf/0.5 gpf †

† (Measured @ 165 kPa/24 psi)

► **Specifications**

Exposed, Battery Powered, Sensor Activated Flush Valve with the following features:

- Active Infrared Sensor
- Fully enclosed Metal Housing protects Valve and Electronics
- Filtered Solenoid Valve with serviceable Strainer Filter
- Integral Shut Off Valve
- 1/2" G Straight Male Pipe Connection Inlet
- 16 mm Outlet Tube (Spud and Flange provided)
- Four (4) Size AAA Batteries included
- "Low Battery" Flashing LED
- Selectable 2 second Pre-flush (field set)
- 24 Hour Sentinel Flush (field set)

► **Accessories**

ESU-11 Straight Flush Connection

ESU-12 Flexible Flush Connection



ESU-1100

Electronic Sensor Activated
Flush Valve for
Wash-down Urinals

► **Automatic**

Sloan OPTIMA equipped Urinals provide the ultimate in sanitary protection and automatic operation. There are no handles to trip or buttons to push. The Urinal operates by means of an infrared sensor. Once the user enters the sensor's effective range and then steps away, the Solenoid initiates the flushing cycle to flush the fixture.

► **Hygienic**

User makes no physical contact with the valve surface. Helps control the spread of infectious diseases. Twenty-four Hour Sentinel Flush keeps fixture fresh during periods of nonuse.

► **Economical**

Automatic operation provides water usage savings over other flushing devices. Reduces maintenance and operation costs.

► **Practical**

Solid state electronic circuitry assures years of dependable, trouble-free operation.

► **Warranty**

3 year (limited)

This space for Architect/Engineer approval	
Job Name _____	Date _____
Model Specified _____	Quantity _____
Variations Specified _____	
Customer/Wholesaler _____	
Contractor _____	
Architect _____	

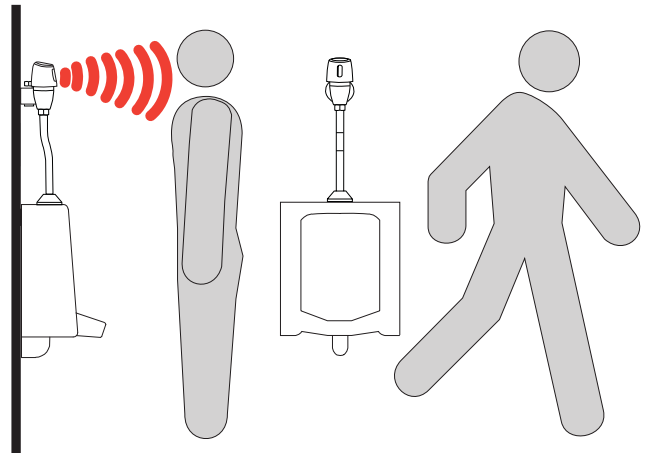
ESU-1100

- ▶ **Description**
Exposed, Battery Powered, Sensor Activated Flush Valve for Wash-down Urinals.
- ▶ **Model**
□ ESU-1100

OPERATING SPECIFICATIONS

- ▶ **Control Circuit**
6 VDC — operates on four (4) alkaline AAA-size batteries.
Pre-flush (selectable)
24 Hour Sentinel Flush
- ▶ **OPTIMA Sensor Type**
Active Infrared
- ▶ **OPTIMA Sensor Range**
350 – 500 mm (14" – 20")
- ▶ **Shut Off Valve**
6 VDC with Integral Strainer Filter & 1/2" Straight Pipe Connection Inlet/Outlet.
- ▶ **Battery Life**
2 years at 4,000 cycles/month
- ▶ **Operating Pressure Range**
21 - 862 kPa (3 - 125 psi)
(0.2 - 8.6 Bar)
- ▶ **Flush Cycle**
Factory set: 8 seconds
- ▶ **Flush Discharge:**
2.0 Lpf (0.5 gpf)
(Measured @ 165 kPa/24 psi)
Volume can be adjusted using the shut off valve or changing the inlet pressure
- ▶ **Pre-flush**
2 Second pre-flush after user is detected
Selectable feature — factory set in ON Position
- ▶ **Sentinel Flush**
Automatic flush Once every 24 Hours after the last flush

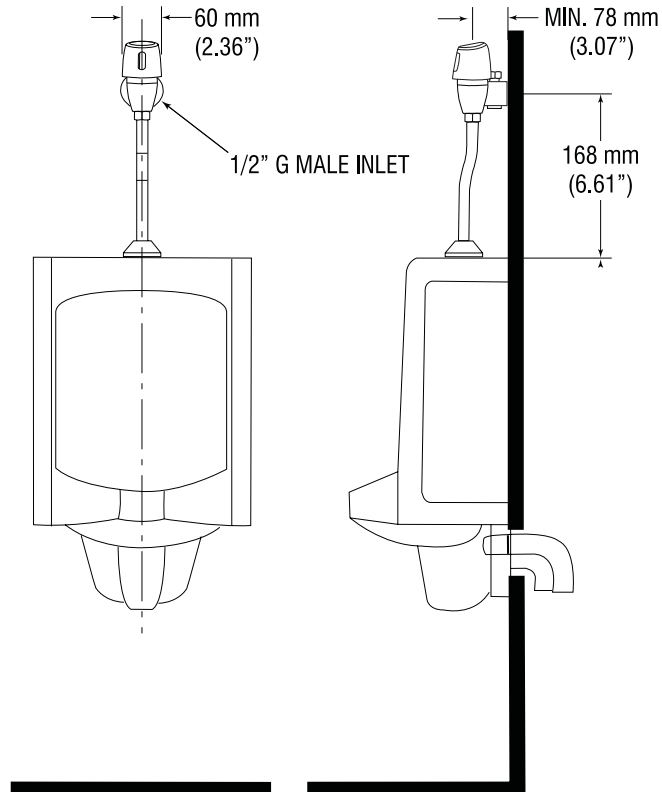
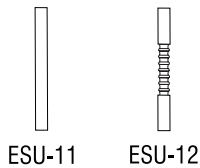
OPERATION



1. When a user enters the sensing range for 2 seconds, the flush valve automatically activates a 2 second pre-flush (if selected).
2. When the user steps away, the flush valve automatically activates.

ROUGH-IN

OPTIONAL FLUSH CONNECTIONS



SLOAN VALVE COMPANY • 10500 SEYMOUR AVENUE • FRANKLIN PARK, IL 60131

Phone: 1-800-9-VALVE-9 or 1-847-671-4300 • Fax: 1-800-447-8329 or 1-847-671-4380 • www.sloanvalve.com